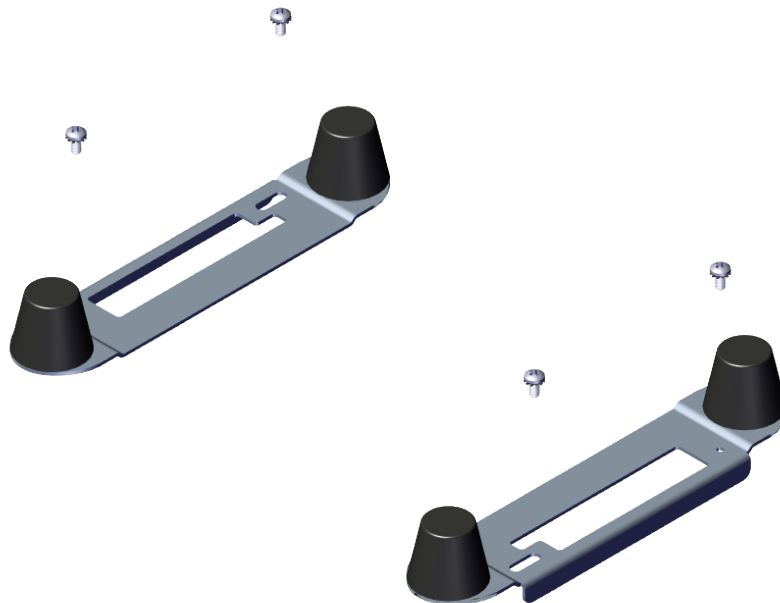


Kit Instructions

CX8 Rubber Feet, Height Improvement



7736-K902
Issue A



The product described in this document is a licensed product of NCR Corporation.

NCR is a registered trademark of NCR Corporation. Product names mentioned in this publication may be trademarks or registered trademarks of their respective companies and are hereby acknowledged.

Where creation of derivative works, modifications or copies of this NCR copyrighted documentation is permitted under the terms and conditions of an agreement you have with NCR, NCR's copyright notice must be included.

It is the policy of NCR Corporation (NCR) to improve products as new technology, components, software, and firmware become available. NCR, therefore, reserves the right to change specifications without prior notice.

All features, functions, and operations described herein may not be marketed by NCR in all parts of the world. In some instances, photographs are of equipment prototypes. Therefore, before using this document, consult with your NCR representative or NCR office for information that is applicable and current.

To maintain the quality of our publications, we need your comments on the accuracy, clarity, organization, and value of this book. Please use the link below to send your comments.

Email: FD230036@ncr.com

Copyright © 2023
By NCR Corporation
Global Headquarters
864 Spring St NW
Atlanta, GA 30308
U.S.A.
All Rights Reserved

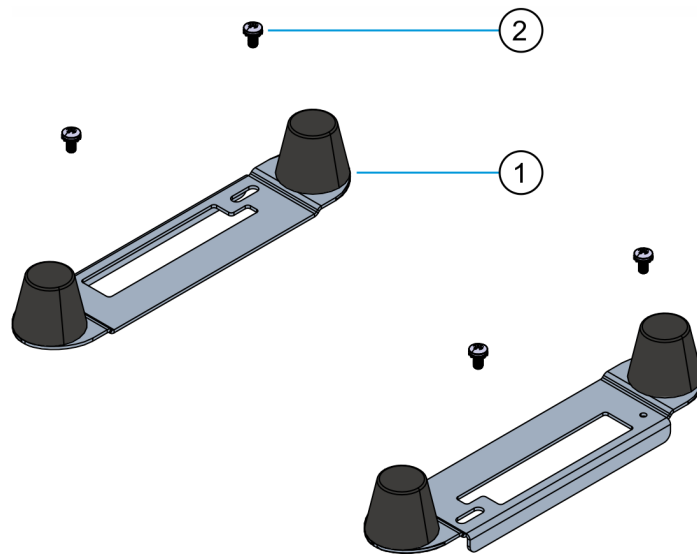
Revision Record

Issue	Date	Remarks
A	May 2023	First Issue

CX8 Rubber Feet, Height Improvement

This kit provides Rubber Feet for height improvement of the NCR CX8 POS (7736).

Kit Contents

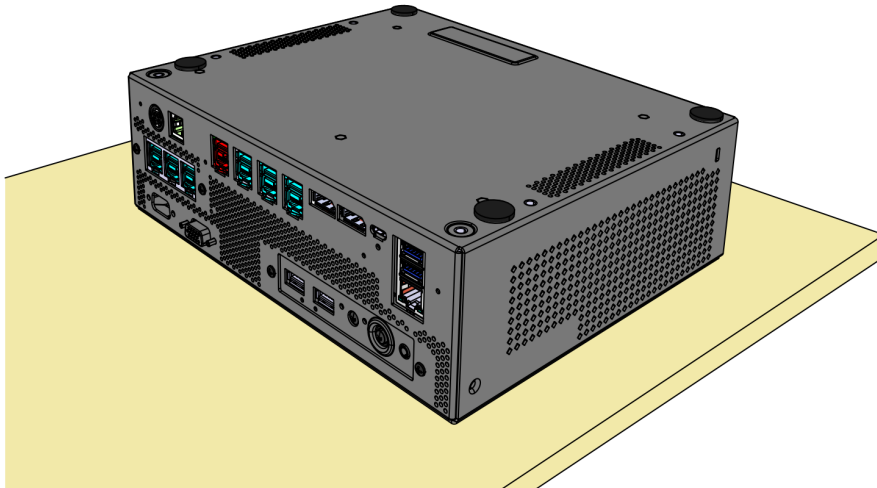


CCP-82598

Item	Part Number	Description
1	Bracket and Rubber Feet Assembly	
	497-0534974	Bracket - Bottom Feet, CX8
	006-8625115	Bumper, Rubber, M8 with tapped hole
2	006-8625417	Screw, M4x8, SEMS, Phillips, Pan Head, Black

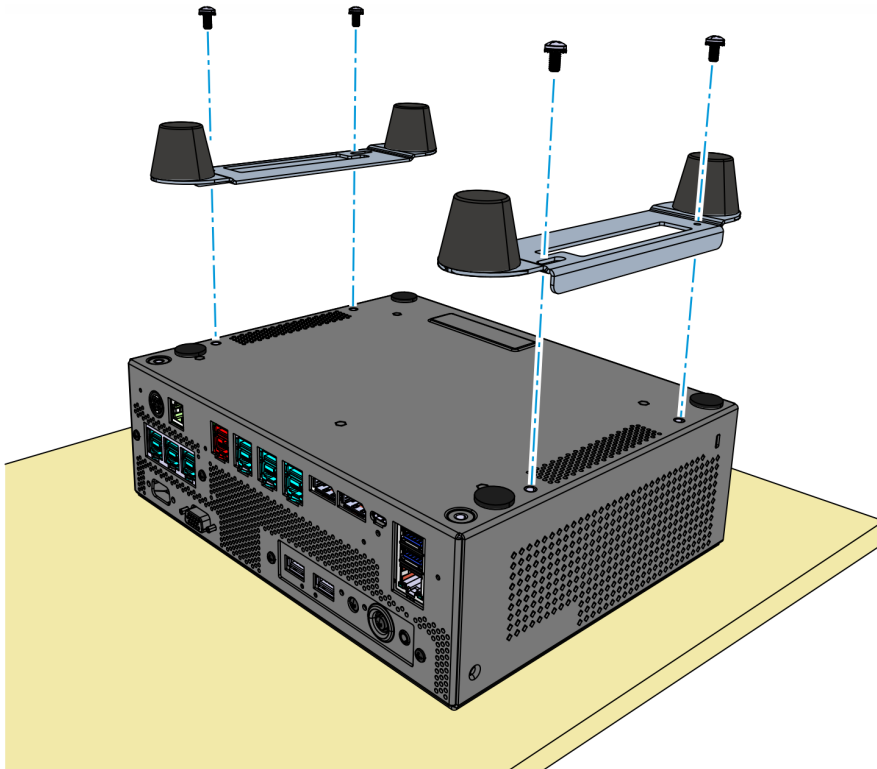
Installation Procedure

1. Carefully place the CX8 upside down on a flat and smooth surface.



CCP-82599

2. Install the Bracket and Rubber Feet Assembly on the CX8 (2 screws per assembly).



CCP-84000