

# Kit Instructions

## Keyboard Tray and Scale Stand



7736-K901  
Issue B



---

The product described in this document is a licensed product of NCR Corporation.

NCR is a registered trademark of NCR Corporation. Product names mentioned in this publication may be trademarks or registered trademarks of their respective companies and are hereby acknowledged.

Where creation of derivative works, modifications or copies of this NCR copyrighted documentation is permitted under the terms and conditions of an agreement you have with NCR, NCR's copyright notice must be included.

It is the policy of NCR Corporation (NCR) to improve products as new technology, components, software, and firmware become available. NCR, therefore, reserves the right to change specifications without prior notice.

All features, functions, and operations described herein may not be marketed by NCR in all parts of the world. In some instances, photographs are of equipment prototypes. Therefore, before using this document, consult with your NCR representative or NCR office for information that is applicable and current.

To maintain the quality of our publications, we need your comments on the accuracy, clarity, organization, and value of this book. Please use the link below to send your comments.

Email: [FD230036@ncr.com](mailto:FD230036@ncr.com)

Copyright © 2022  
By NCR Corporation  
Global Headquarters  
864 Spring St NW  
Atlanta, GA 30308  
U.S.A.  
All Rights Reserved

## Revision Record

Issue	Date	Remarks
A	May 2022	First Issue
B	June 2022	Updated step 2

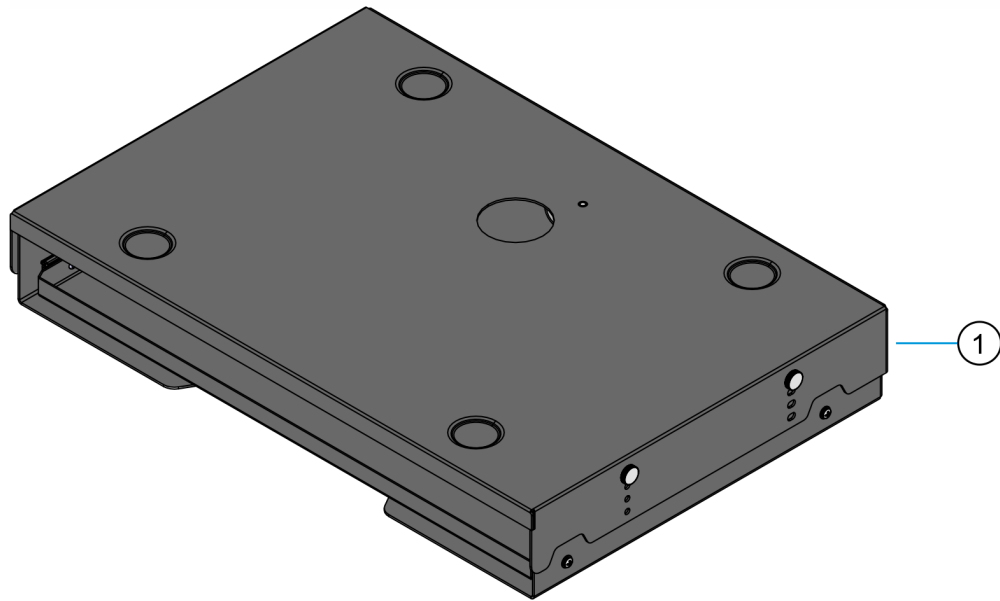
---

# Keyboard Tray and Scale Stand

---

This kit provides a Keyboard Tray and Scale Stand.

## Kit Contents

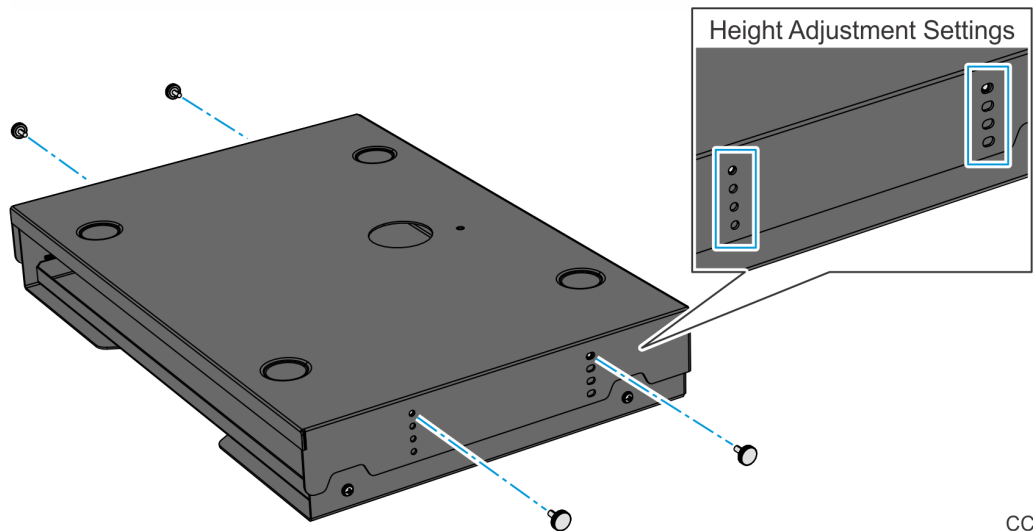


CCP-82512

Item	Part Number	Description
1	<b>Keyboard Tray and Scale Stand Assembly</b>	
	497-0532826	Bottom Tray
	006-8628483	Light Duty Slides, 11" length and 8" travel
	497-0532827	Keyboard Tray
	006-8624863	Screw, M4x6, SEMS, Phillips, Pan Head
	497-0532825	Top Tray
	006-8616844	Cable Clamp (Open P-loop), 3/4" ID, Nylon, Natural
	009-0007087	Serrated Nut, Self Locking (M4, 4.2)
	006-8628466	Adhesive - Back Bumpers, Polyurethane Rubber Black, 1" long, 1" wide, 3/16" high
	006-8622405	Thumb Screw, Knurled Knob, M4 X 10mm

## Installation Procedure

1. The Top Tray has four (4) height adjustment settings. Adjust the Top Tray to the desired height.
  - a. Remove the thumb screws located on the sides of the Top Tray (two thumb screws on each side).
  - b. Move the Top Tray to the desired height then secure it with the thumb screws.

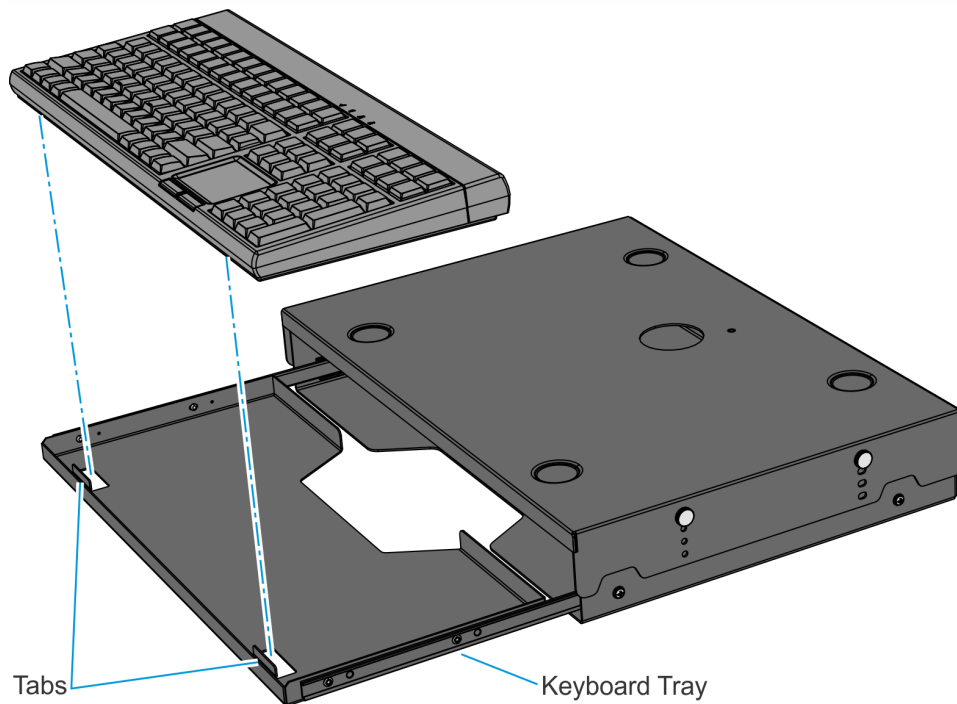


CCP-82513

2. Pull out the Keyboard Tray and place the keyboard on the Tray. Align the keyboard along the tabs as shown.

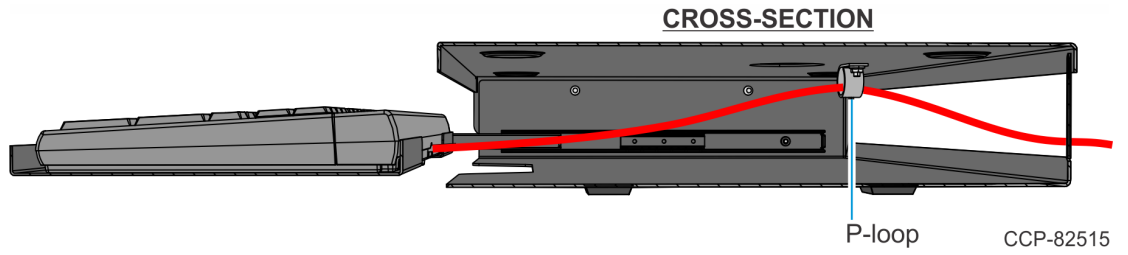


**Note:** The keyboard is not included in the kit.

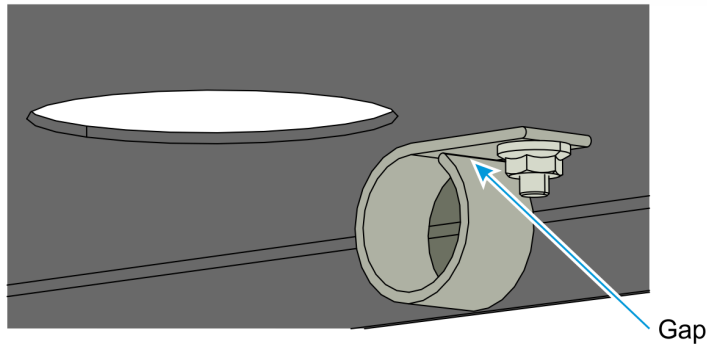


CCP-82514

3. Route the keyboard cable through the P-loop located on the underside of the Top Tray.



**Note:** The P-loop has a gap on the side for easy cable insertion.

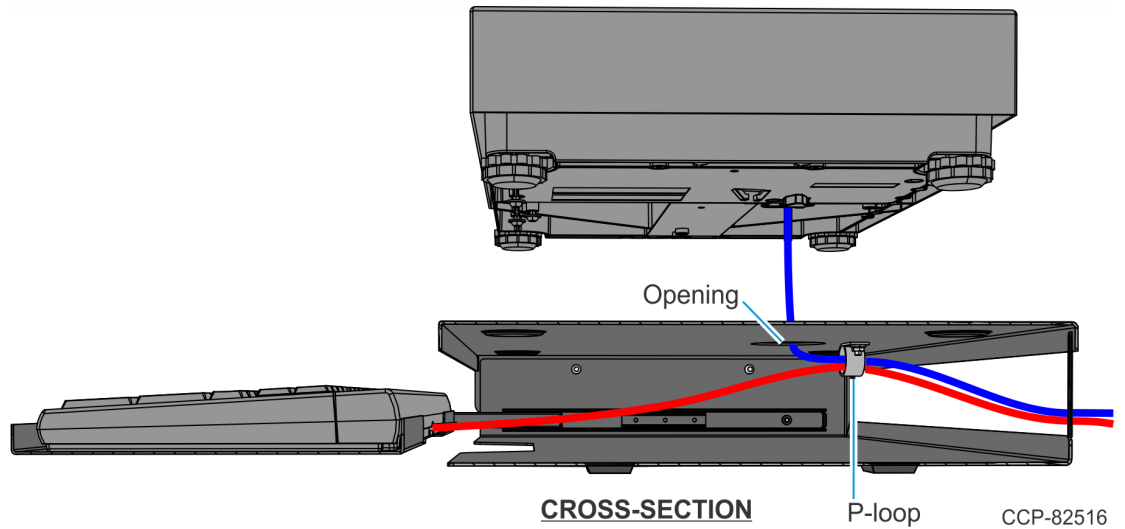


CCP-82520

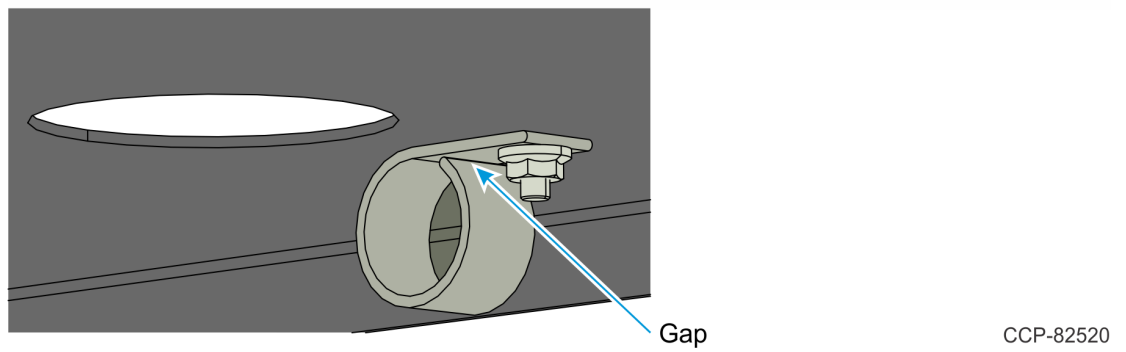
4. Route the scale cable through the Top Tray opening and through the P-loop as shown.



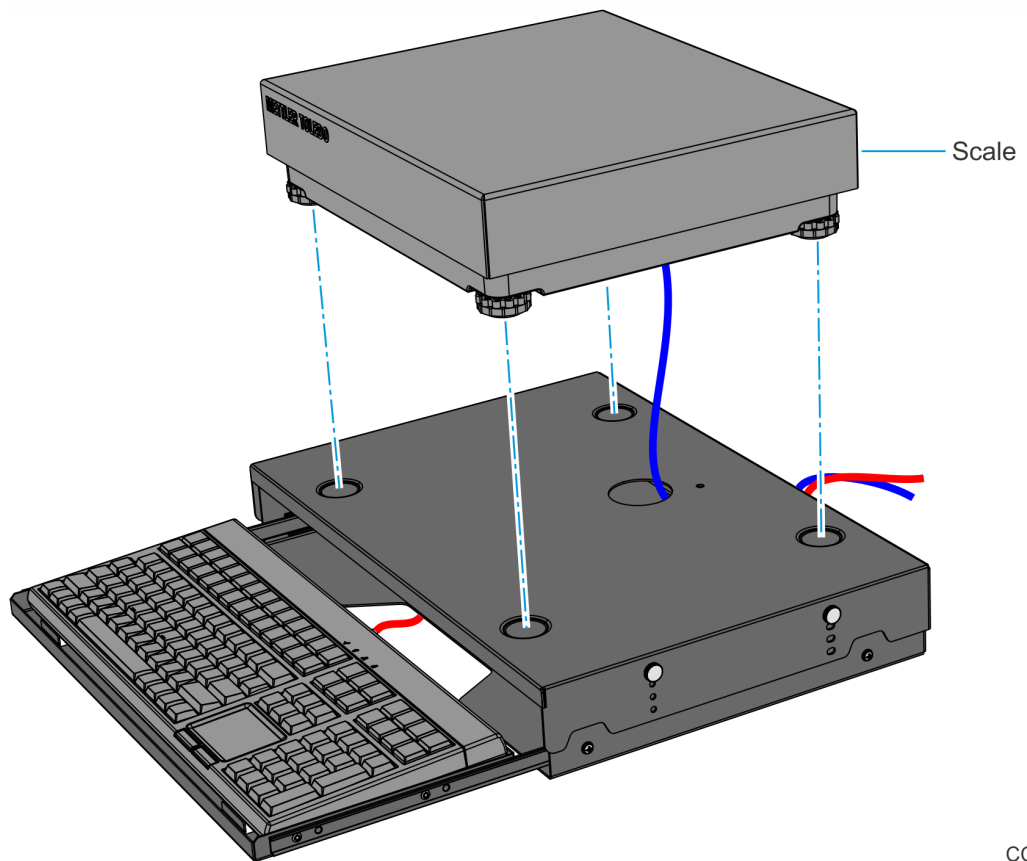
**Note:** The scale is not included in the kit.



**Note:** The P-loop has a gap on the side for easy cable insertion.



5. Place the Scale on the Top Tray. Ensure the feet of the Scale are in the recess as shown.



CCP-82517

6. Level the Scale per manufacturer's requirement.