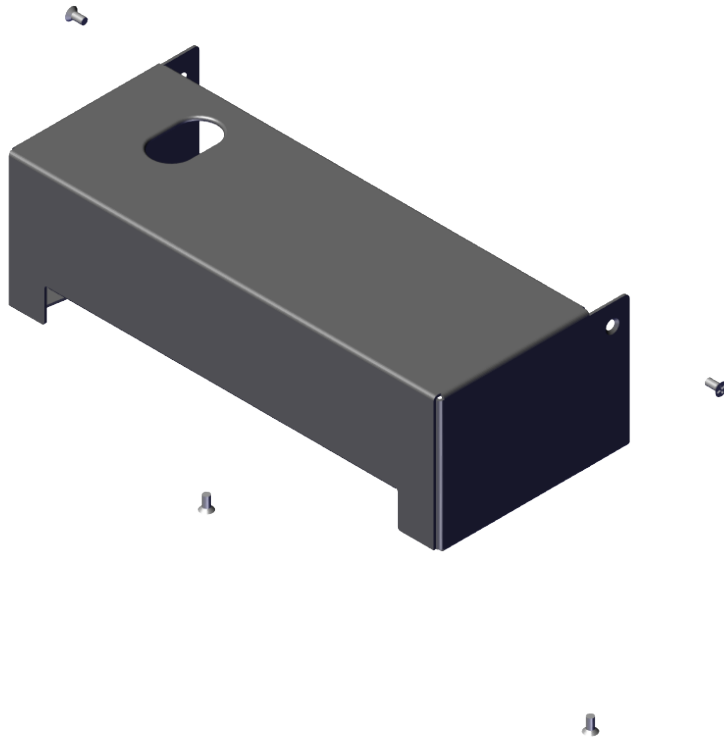


# Kit Instructions

## CX8 I/O Security Cover



7736-K322  
Issue A



---

The product described in this document is a licensed product of NCR Corporation.

NCR is a registered trademark of NCR Corporation. Product names mentioned in this publication may be trademarks or registered trademarks of their respective companies and are hereby acknowledged.

Where creation of derivative works, modifications or copies of this NCR copyrighted documentation is permitted under the terms and conditions of an agreement you have with NCR, NCR's copyright notice must be included.

It is the policy of NCR Corporation (NCR) to improve products as new technology, components, software, and firmware become available. NCR, therefore, reserves the right to change specifications without prior notice.

All features, functions, and operations described herein may not be marketed by NCR in all parts of the world. In some instances, photographs are of equipment prototypes. Therefore, before using this document, consult with your NCR representative or NCR office for information that is applicable and current.

To maintain the quality of our publications, we need your comments on the accuracy, clarity, organization, and value of this book. Please use the link below to send your comments.

Email: [FD230036@ncr.com](mailto:FD230036@ncr.com)

Copyright © 2021  
By NCR Corporation  
Global Headquarters  
864 Spring St NW  
Atlanta, GA 30308  
U.S.A.  
All Rights Reserved

## Revision Record

Issue	Date	Remarks
A	Sep 2021	First Issue

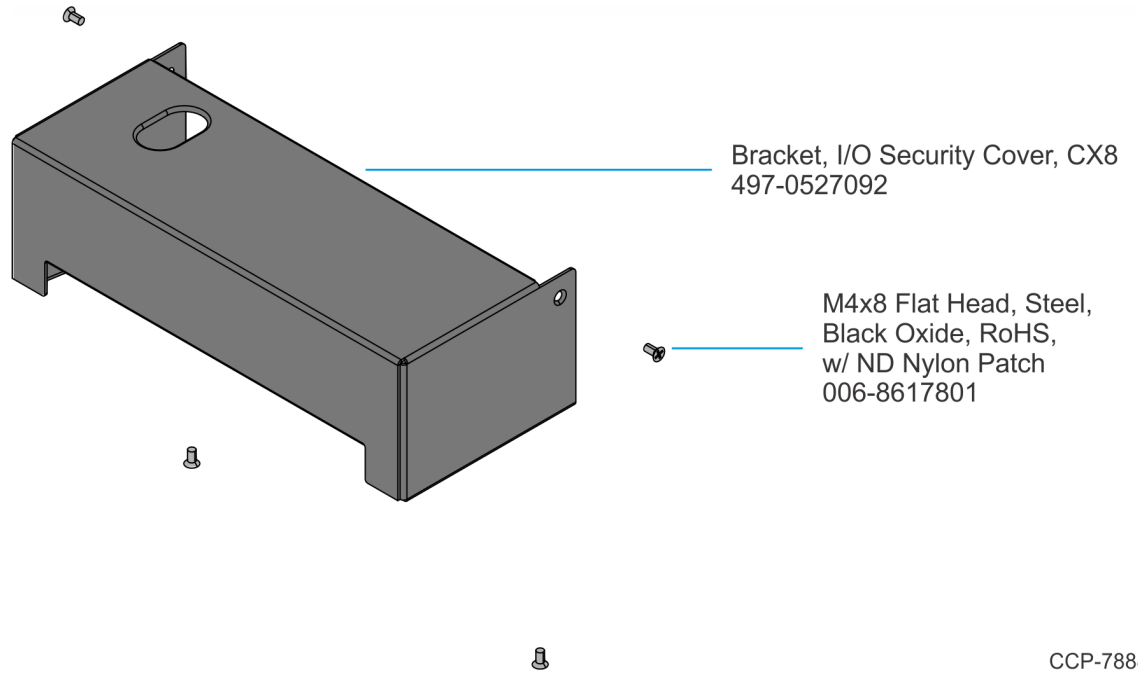
---

# CX8 I/O Security Cover

---

This kit provides an I/O Security Cover for the NCR CX8 POS (7736).

## Kit Contents

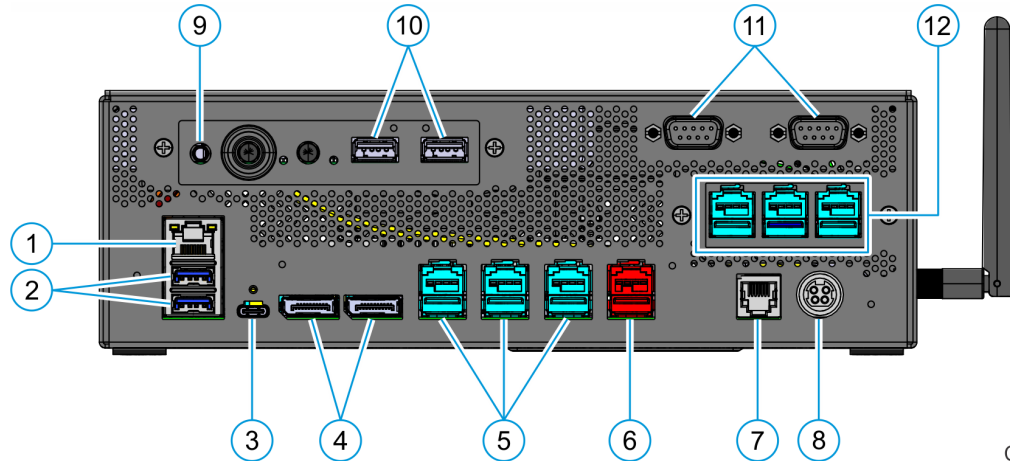


# Installation Procedure

1. Connect the cables to the terminal.



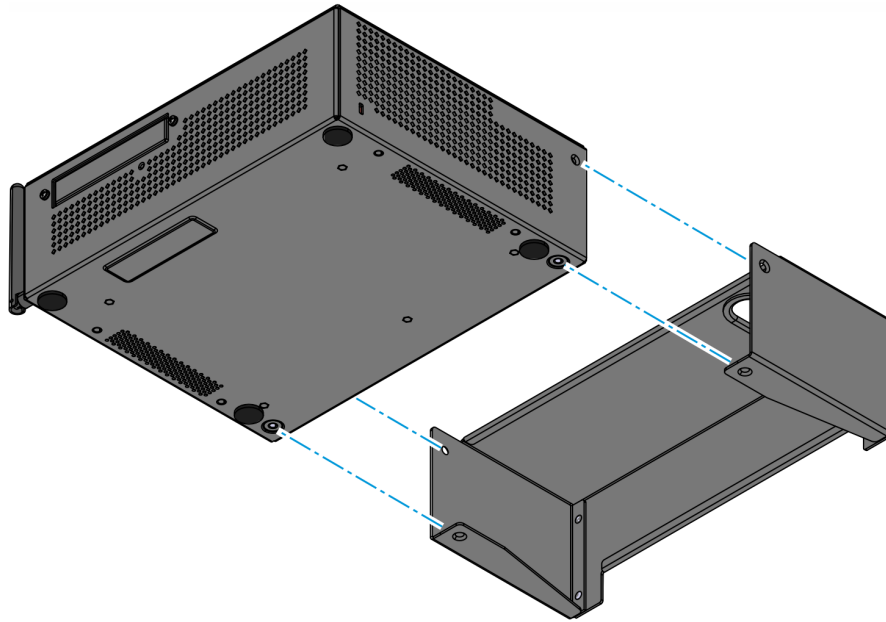
**Note:** The illustration below shows a Rear Facing I/O.



CCP-78882

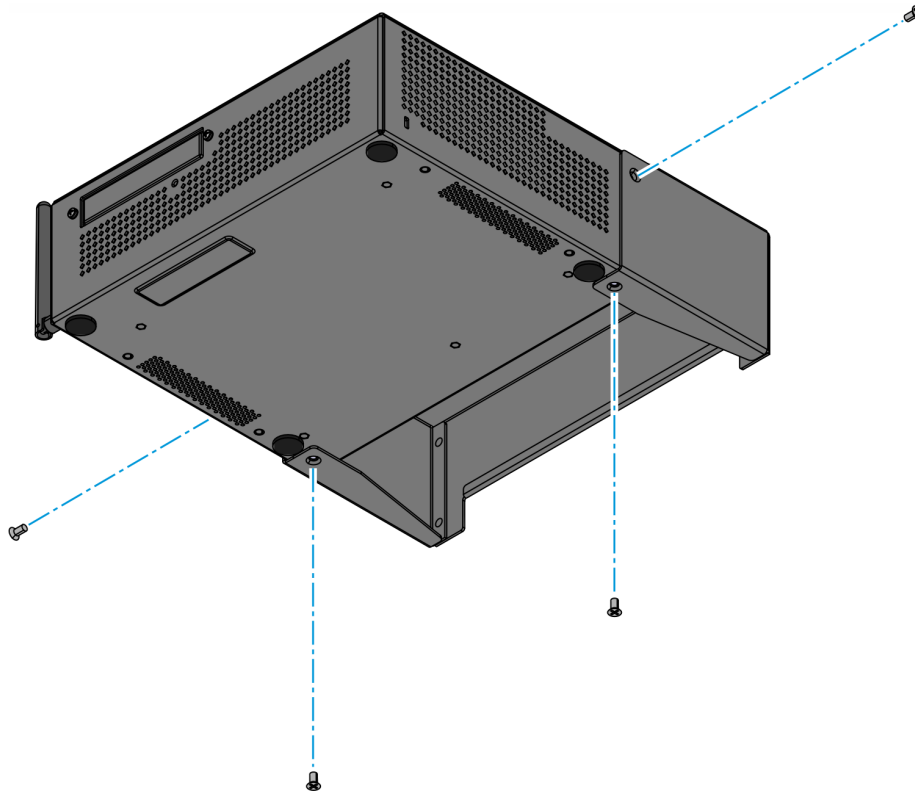
Callout	Port
1	LAN 10/100/1000
2	USB 3.0 (5V)
3	USB Display
4	DisplayPort++
5	12V Powered USB
6	24V Powered USB
7	Cash Drawer (12V/24V) Dual Port
8	24V Power In
9	Amplified Audio
10	USB 2.0 (5V)
11	DB9 Serial
12	12V Powered USB (Expansion Option)

2. Align the screw holes of the I/O Security Cover with the screw holes of the chassis.



CCP-78883

3. Install the Security Cover on the chassis with four (4) screws.



CCP-78884