

Kit Instructions

Magtek MSR



2245-K076
Issue A



The product described in this document is a licensed product of NCR Corporation.

NCR is a registered trademark of NCR Corporation. NCR SelfServ™ is a trademark of NCR Corporation in the United States and/or other countries. Other product names mentioned in this publication may be trademarks or registered trademarks of their respective companies and are hereby acknowledged.

The terms HDMI and HDMI High-Definition Multimedia Interface, and the HDMI Logo are trademarks or registered trademarks of HDMI Licensing LLC in the United States and other countries.

Where creation of derivative works, modifications or copies of this NCR copyrighted documentation is permitted under the terms and conditions of an agreement you have with NCR, NCR's copyright notice must be included.

It is the policy of NCR Corporation (NCR) to improve products as new technology, components, software, and firmware become available. NCR, therefore, reserves the right to change specifications without prior notice.

All features, functions, and operations described herein may not be marketed by NCR in all parts of the world. In some instances, photographs are of equipment prototypes. Therefore, before using this document, consult with your NCR representative or NCR office for information that is applicable and current.

To maintain the quality of our publications, we need your comments on the accuracy, clarity, organization, and value of this book. Please use the link below to send your comments.

Email: FD230036@ncr.com

Copyright © 2018
By NCR Corporation
Atlanta, GA U.S.A.
All Rights Reserved

Revision Record

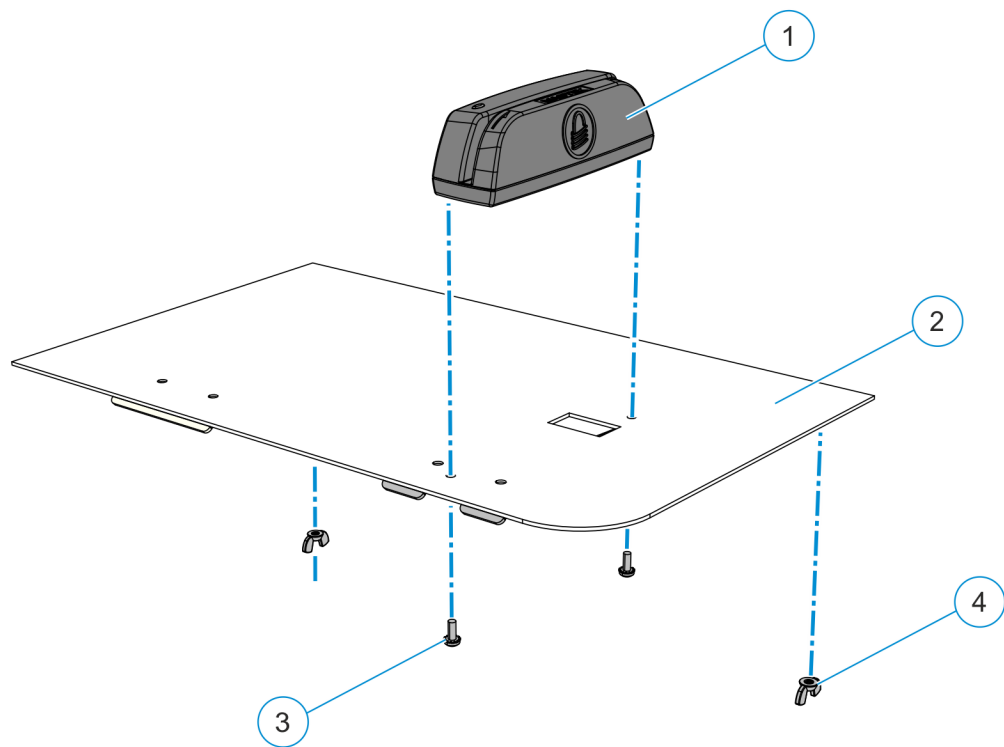
Issue	Date	Remarks
A	Sep 2018	First Issue

Magtek MSR

Introduction

This kit provides the components to add a Magtek MSR device to the NCR SelfServ™ XK32 (2245) Kiosk.

Kit Contents



CCP-75336

Magtek MSR, (2245-K076)		
	Part Number	Description
1	006-8626875	MSR, USB-HID, 5V, Security Level 3, Magtek (Encrypted)
2	795-0260801	2245 MSR Device Panel
3	006-8611319	M3x8, SEMS, Phil, Pan, STL, Black (2)
4	006-8625120	M4 Steel Zinc Plated Wing Nut (2)

Installation Procedure

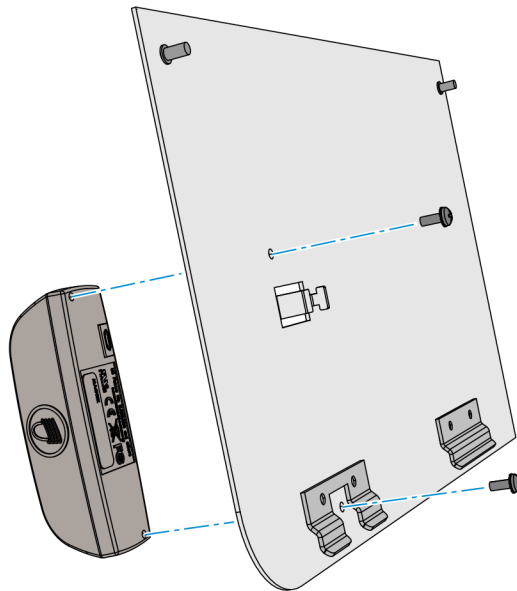


Warning: Disconnect the AC power cord before disassembling the Terminal.



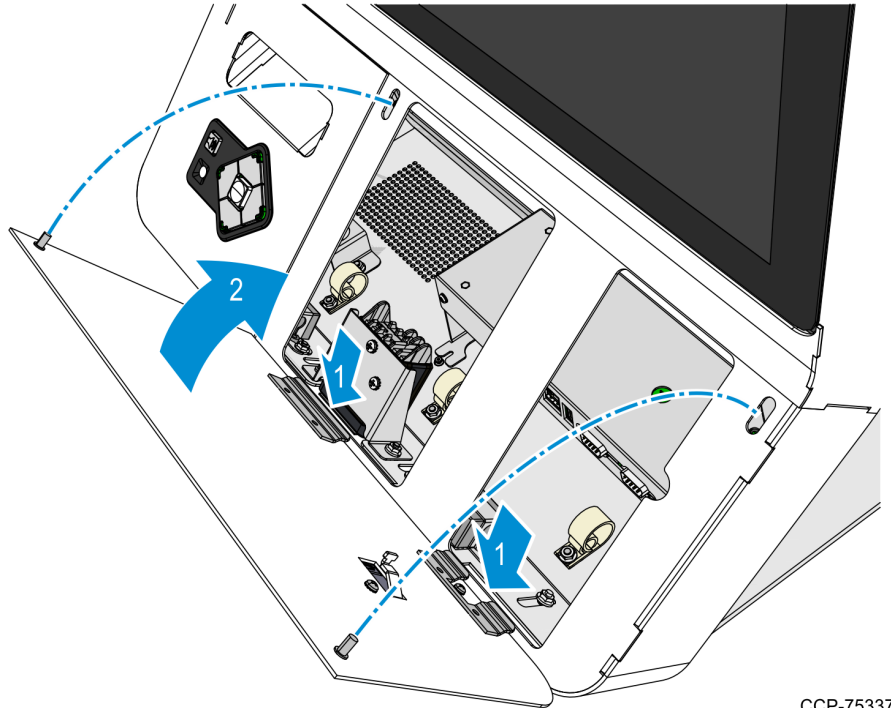
Caution: Static Electricity Discharge may permanently damage your system. Discharge any static electricity build up in your body by touching your computer's case for a few seconds. Avoid any contact with internal parts and handle cards only by their external edges.

1. Shutdown the Software Application and Operating System.
2. Unplug the terminal's power cord.
3. Mount and secure the Magtek MSR to the MSR Panel using two M3x8 screws.



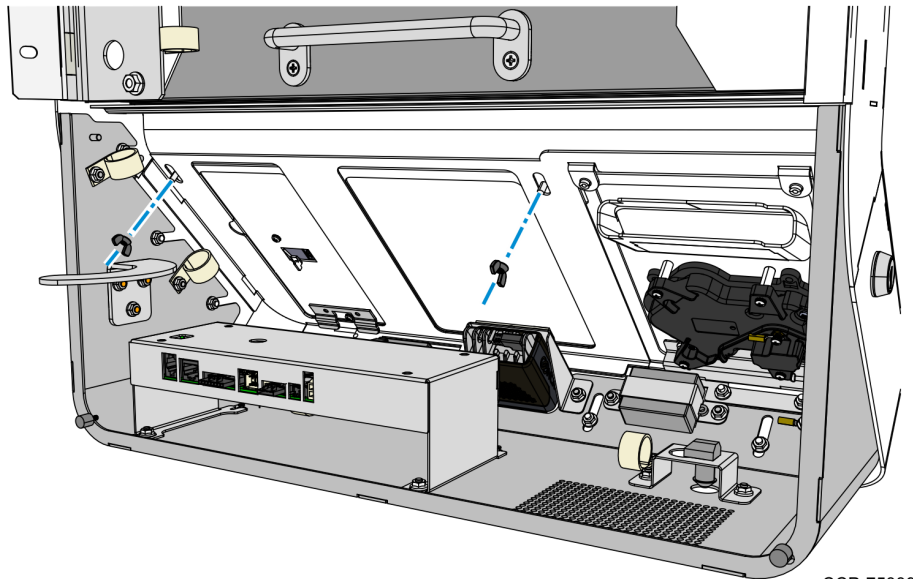
CCP-73708

4. Mount and secure the MSR assembly to the kiosk.
 - a. Hook the tabs on the rear side of the MSR Panel to the Door Panel.
 - b. Rotate the MSR assembly backward inserting its studs to the mounting slots on the Door Panel.



CCP-75337

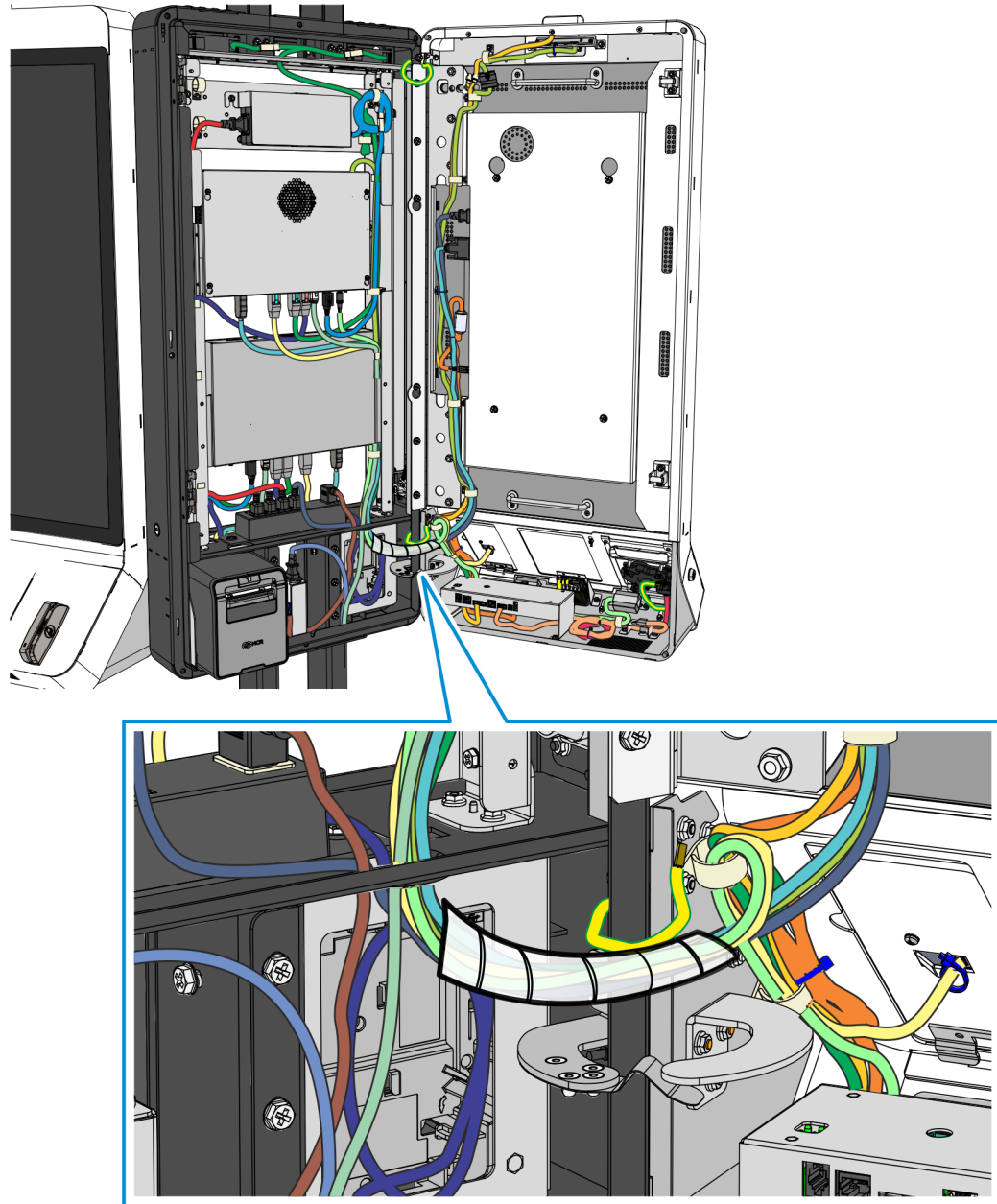
5. Inside the Door Cabinet, secure the MSR Assembly using two wing nuts.



CCP-75339

6. Connect and route the MSR USB cable, see [Routing the MSR Cable](#) on page 5.

7. Secure the length of the MSR cable and other cables that cross between the Door and Main Frame using the Spiral Wrap.

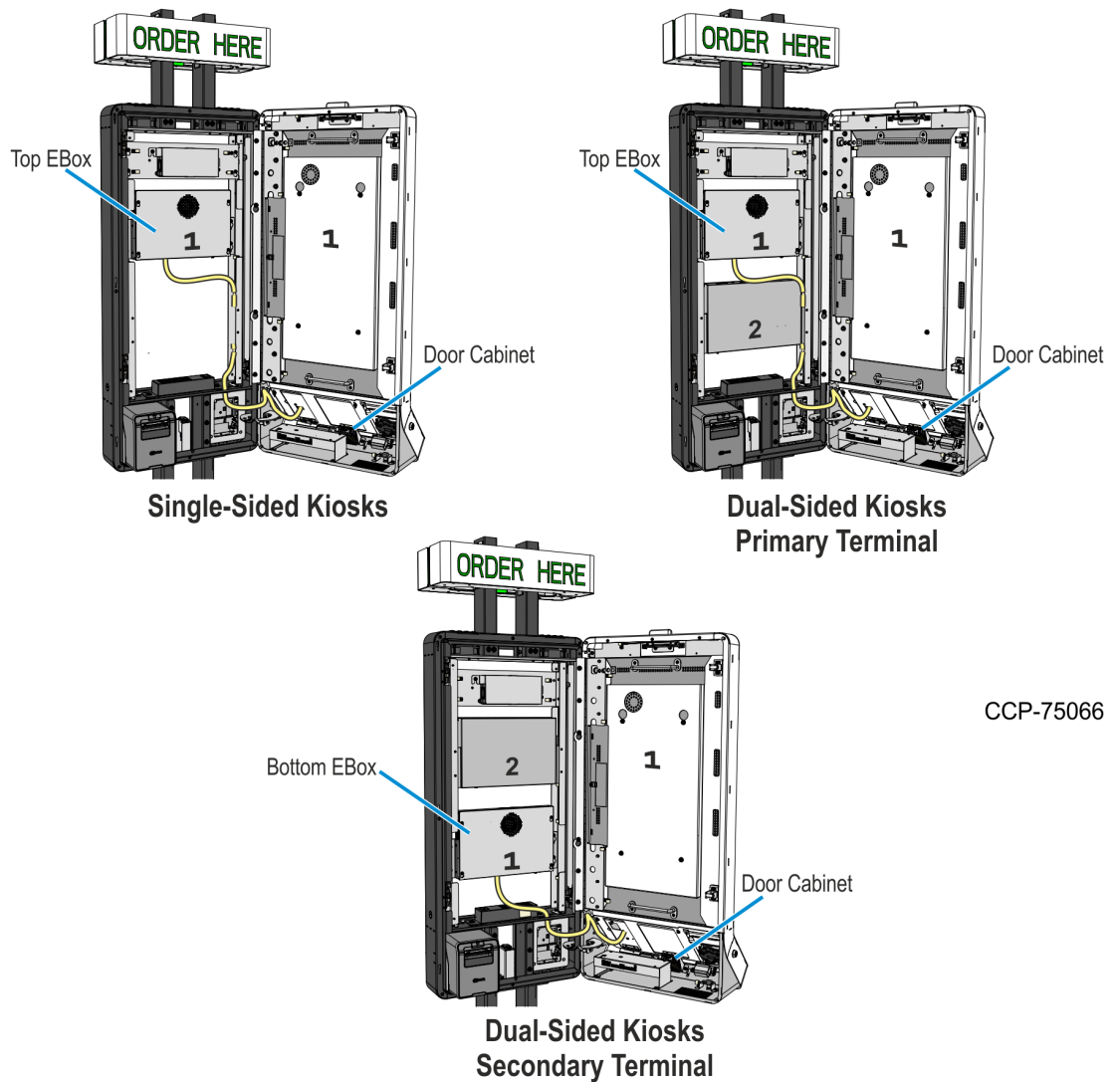


Routing the MSR Cable

The routing procedure of the MSR cable depends on the kiosk configuration and which terminal uses the MSR. Refer to the section below to route the MSR cable as appropriate for the kiosk configuration:

- Single-Sided Kiosk, see [MSR Cable Primary Routing](#) on the next page
- Dual-Sided Kiosk Primary Terminal, see [MSR Cable Primary Routing](#) on the next page
- Dual-Sided Kiosk Secondary Terminal, see [MSR Cable Secondary Routing](#) on page 8

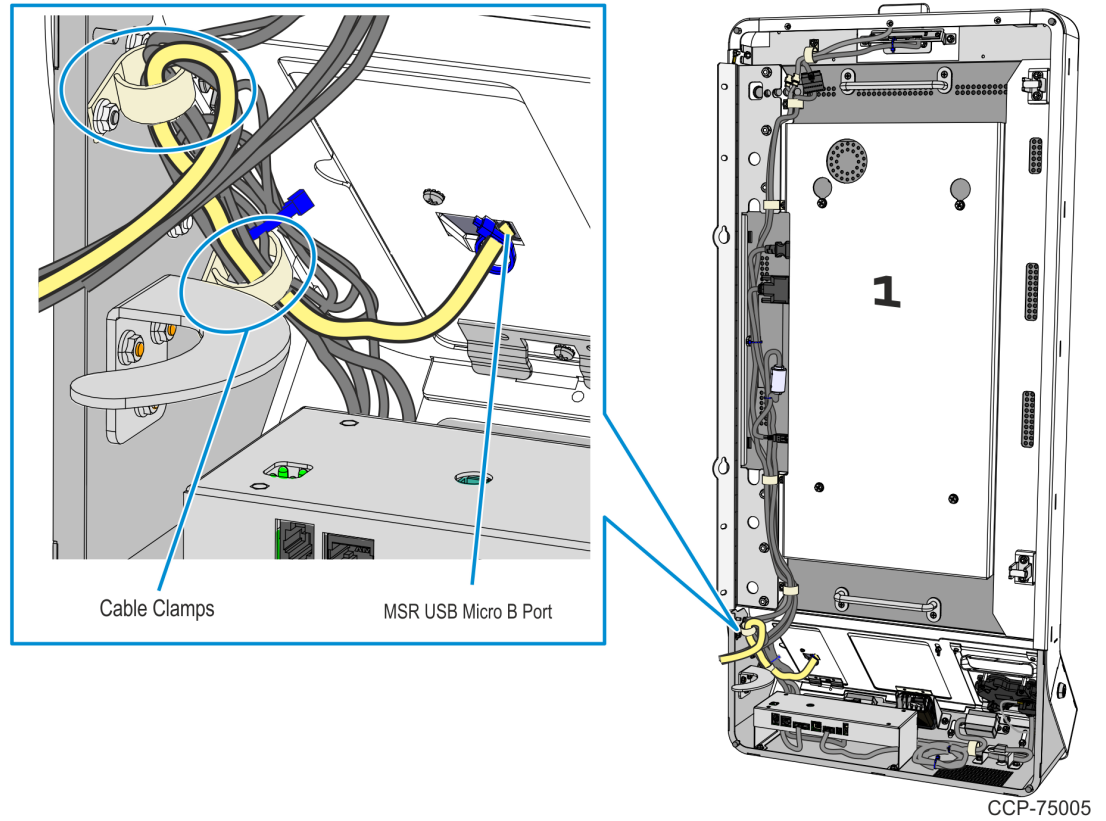
The MSR Cable Primary routing applies to both Single-Sided Kiosks and the Primary Terminal of Dual-Sided Kiosks which both use the Top EBox. The Secondary Terminal of Dual-Sided Kiosks use the Bottom EBox.



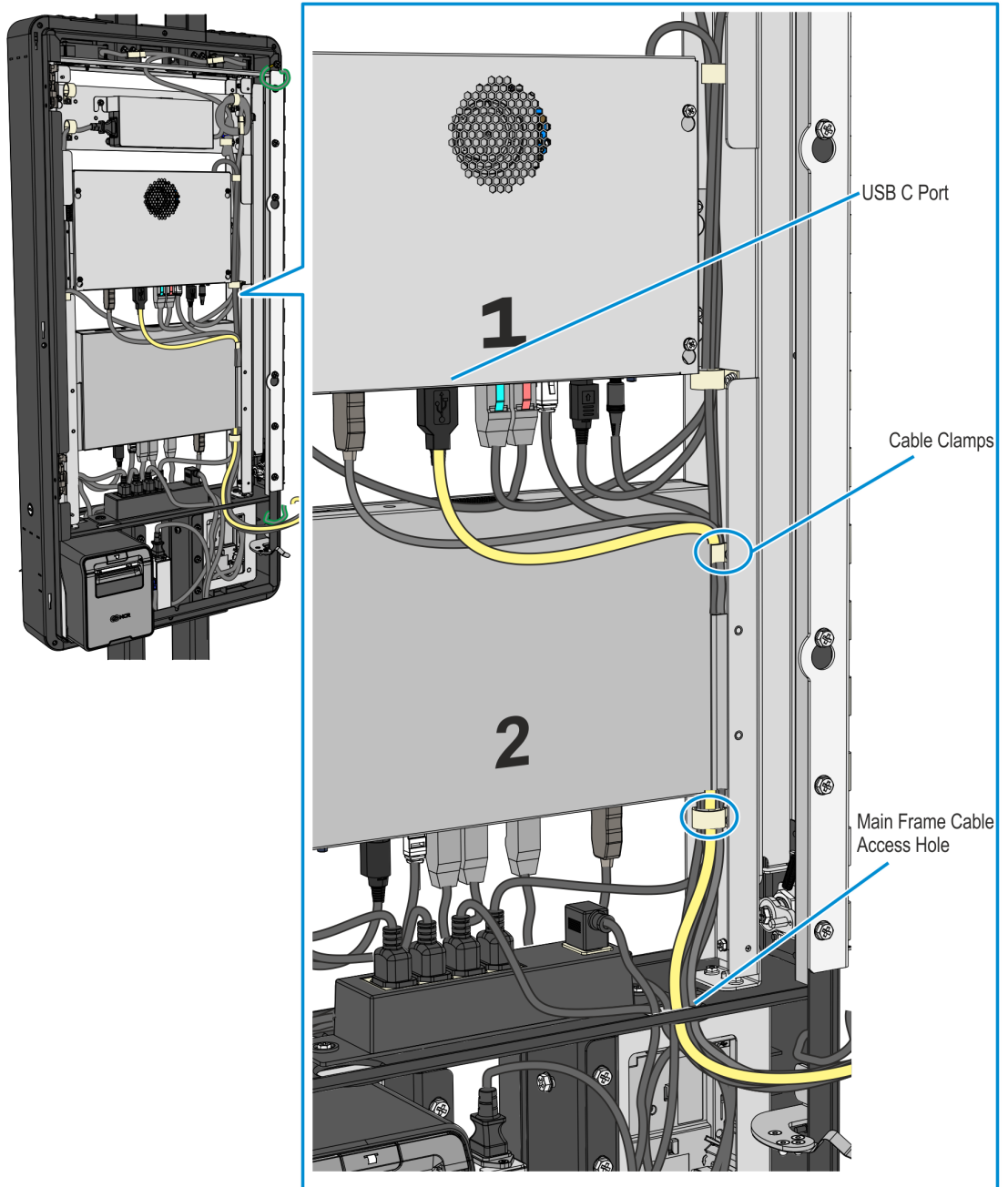
CCP-75066

MSR Cable Primary Routing

1. Connect the MSR cable to the USB Micro B port and secure the connector to the bracket using a cable tie.
2. Route and secure the cable through the cable clamps on the left-hand side of the Door Cabinet.

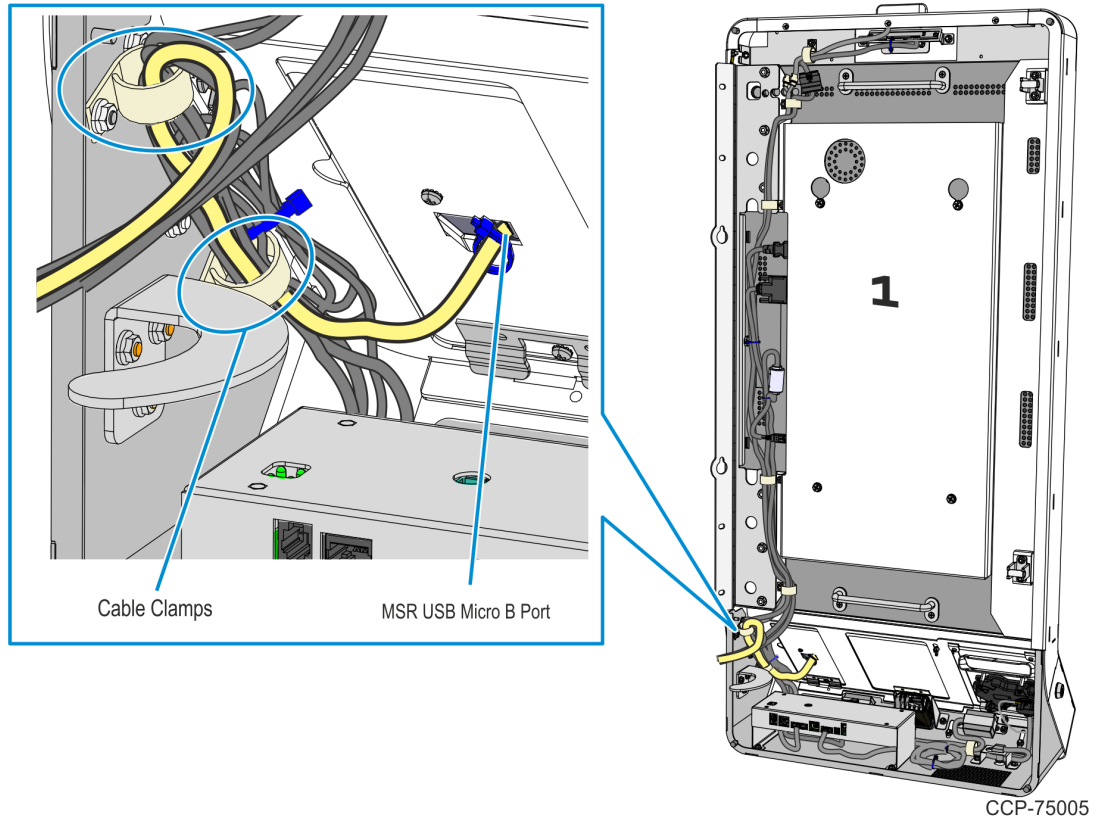


3. Insert the MSR Cable upward through the cable access hole in the Main Frame and route the cable through the right-hand side of the frame towards the top EBox.
4. Connect the cable to the **USB C** port of the EBox IO Panel.
5. Secure the cable using the cable clamps along its route.



MSR Cable Secondary Routing

1. Connect the MSR cable to the USB Micro B port and secure the connector to the bracket using a cable tie.
2. Route and secure the cable through the cable clamps on the left-hand side of the Door Cabinet.



3. Insert the MSR Cable upward through the cable access hole in the Main Frame.
4. Connect the cable to the **USB C** port of the bottom EBox IO Panel.

